



BEI

CONSTRUCTION, INC.

BEIConstruction.com

Statement of Qualifications | 2024

BESS (Battery Energy Storage System)

State of California License No. 528322, A, B, and C-10.

State of Nevada License No. 20222614066

State of Arizona License No. 330370 B-1 and No. 330371 C-11

Complete EPC Partners for Energy Storage Solutions



Company Overview



BEI Construction has provided exceptional construction services while prioritizing safety, quality, and customer satisfaction since 1988.

A 35-year track record of success

BEI Construction's successful track record over the past three decades has enabled the firm to bond the largest of projects. BEI demonstrates the value of long-term relationships, both internally and externally, in producing a superior project. Our in-house capabilities allow us to deliver highly competitive, quality construction work. Our support and proper planning and communication—from contract award to project closeout—ensures a successful installation.

Renewable Energy Construction



Solar



Wind



BESS



Substations



EV Charging

BEI Construction — providing experienced engineering, procurement, and construction (EPC) services.

Our team of skilled engineers, and project managers with expertise in civil, mechanical, electrical and other specialty areas work together to ensure that all structure, architectural and functional aspects are addressed properly and all safety, environmental and building codes are adhered to.

We also propose creative and innovative solutions to manage costs and address any technical obstacles and challenges that could impede timely delivery.

The advantages of working with an EPC contractor:

- Turnkey solution
- Full-service delivery model
- Single point of responsibility for all aspects of a project
- Minimize risk
- Cost management
- Multidisciplinary team with expertise in all design and engineering disciplines

BEI Construction is an experienced engineering, procurement, and construction (EPC) contractor.

Engaged in more than
1.4 GW
of battery storage projects

BEI is leading the way in the construction in non-lithium technologies such as
Flow, Thermal and Fuel Cells

BEI has constructed
275MW/1.1GWh
of BESS
utilizing the Tesla Megapack

Golden Shovel
Award from



Creating clean-energy solutions for a sustainable future

BEI has designed and constructed energy storage projects in California, Arizona and Nevada since 2012. In addition to substations, the company has a large portfolio of solar and wind initiatives as well as capabilities in electrical and underground construction, security integration, audio/visual, and technology infrastructure.

The inclusion of energy storage increases the success and cost effectiveness of virtually every size renewable energy project. Recent declines in the cost of battery storage makes energy storage practical for most renewable energy projects.

Energy Storage EPC Partner

BEI self-performs nearly every facet of BESS projects:

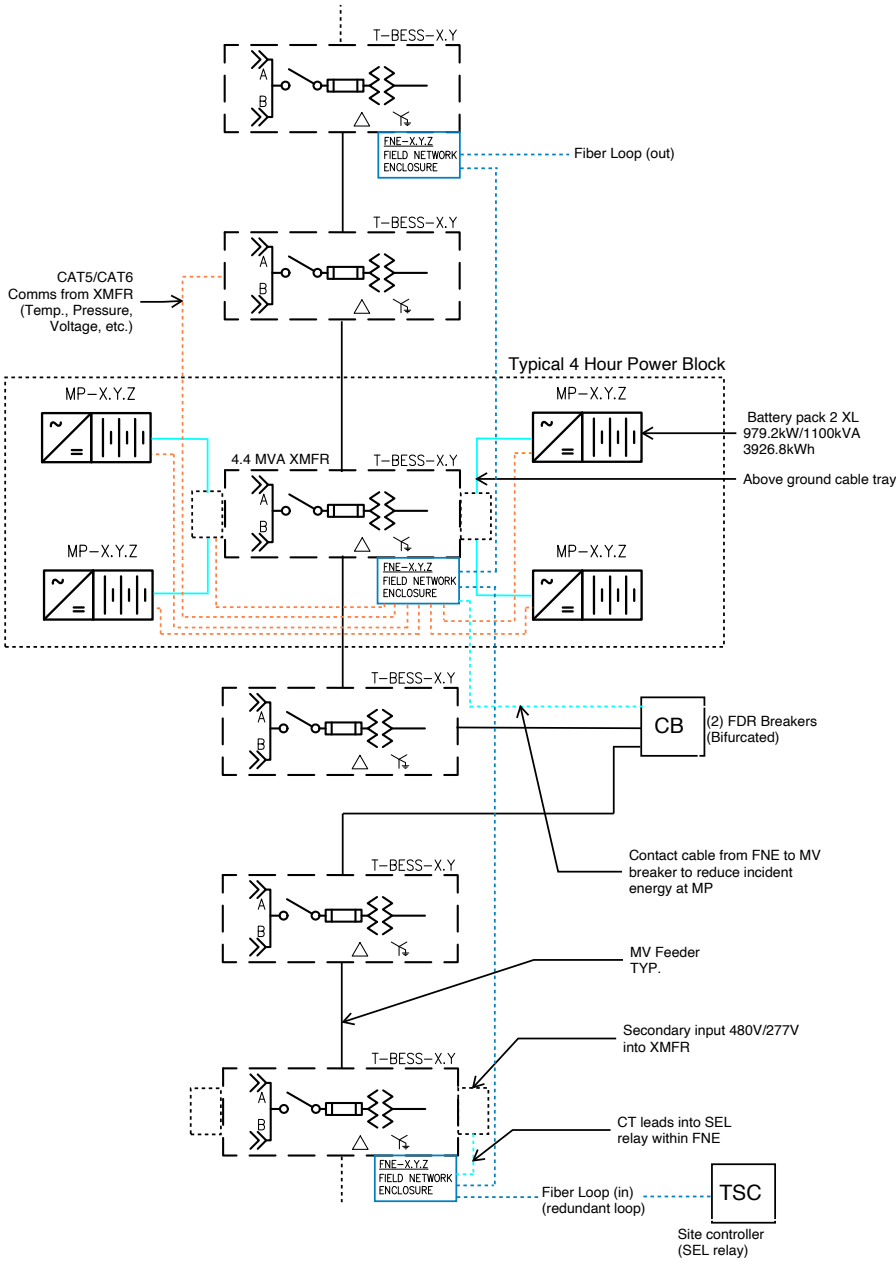
- Engineering, EMS, electrical, civil, structural/mechanical, testing and commissioning services.
- Design and build both in front of the meter and behind the meter energy storage
- Projects range from several MW's to hundreds of MW's in size



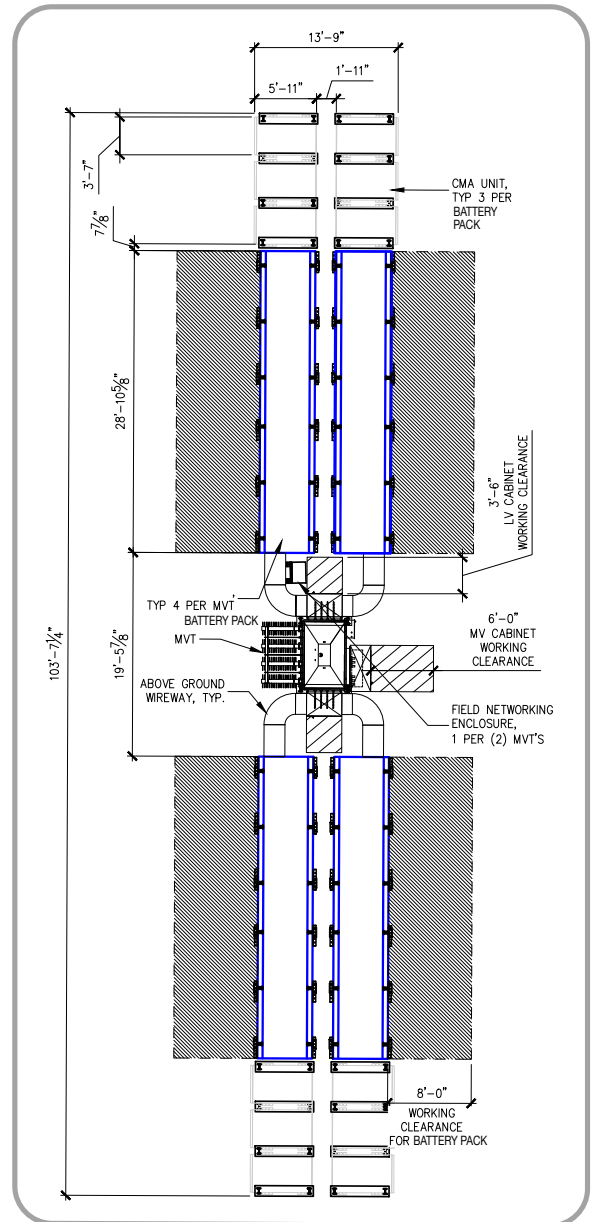
BEI Construction (Member CESA) The California Energy Storage Alliance is the definitive voice of energy storage in California. At 100+ members strong, CESA is committed to advancing the role of energy storage in the electric power sector. CESA is a 501c(6) membership-based advocacy group.

BESS Schematic (Example of a typical project)

Typical BESS Single Line Diagram



Typical Power Block



End-to-End (EPC) services



Project Management

- Responsible for all aspects of the project
- Management/Operations meetings
- Engineering & Permitting
- Onsite construction management services
- Extensive QA/QC procedures and reporting
- Complete procurement services
- Manage the protection and control schema for BESS and substation

Civil Construction

- Directional Drilling & Trenching
- Grading/Drainage
- Vacuum Excavation
- Pier Driving
- Concrete
- Substations
- Self-perform grading and concrete

Electrical Construction

- Commercial / Industrial
- Tenant Improvement
- Commercial / Utility-Scale Solar and Wind
- Transmission and distribution
- Decommissioning Services
- Design protection and controls with our HMI

Foundations

- Large Transformer pad with secondary containment
- Cast & place concrete piers
- Driven piles
- Earth screws
- Slab on grab
- Grade beams

Cabling

- SCADA and HMI
- Fiber optic communications
- Install, Terminate and Test
- Cat6
- CAN Bridge
- Relays



A Division of BEI Construction, Inc.

BEI Connect, our technology infrastructure services division, handles the communications work that's critical to every BESS implementation—from underground cable installation to wireless integration with the electrical infrastructure. The fiber optic and protection and controls requirements of battery storage facilities can vary drastically from site to site based on a number of factors, including the local availability of technology and materials, which can have a major impact on cost and scheduling.

BEI Connect's comprehensive services include:

- Installation
- Commissioning and Testing
- Support and Maintenance
- Decommissioning

Civil Engineering



Experts in civil construction— Substation construction and maintenance work management

BEI's civil construction division focuses on underground as well as above-ground infrastructure. Our team of experts provide full civil support, including site preparation, excavation, foundation construction, substation construction, and structural steel work to support clients' building, electrical, and renewable energy construction projects.

- Directional Drilling
- Trenching
- Vacuum Excavation
- Pier Driving
- Concrete
- Substations

Substations

BEI brings decades of combined substation construction experience to our clients

As we build more utility scale energy storage projects, a substation is a necessity required for interconnection of these projects, and this natural progression of work combined with our reputation in the industry has led to building more substations. Safety, innovation, quality, and client satisfaction are the common values that have driven our progression from electrical subcontractor on large and complex projects to building substations (including the substations for Southern California Edison's largest energy storage project in California). Not only has this experience shaped our understanding of substations it has helped us develop our reputation for excellence with substation work.

- Complete substation construction
- Site civil work
- Foundation work
- Steel construction
- Electrical construction
- Testing and commissioning
- Controls and protection

Our team takes great pride in its level of service and focus on safety—going above and beyond to deliver every project on time, without safety incidences. BEI leverages their experience to deliver a value-focused project, while offering innovative ideas for easing operations and maintenance and increasing grid reliability, all in a way that minimizes disruptions during construction and leads to a successful project.



Excellence in electrical engineering and construction

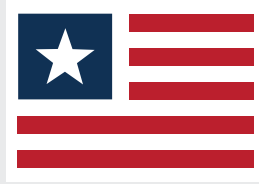
BEI has the electrical and implementation expertise required on energy storage projects. We leverage our extensive experience and exceptional relationships with vendors, utility representatives, and other stakeholders to deliver your BESS project on time and on budget.

- Constructibility Review
- Construction Management
- Bidding and Bid Analysis
- Electrical Engineering
- Contract Administration
- Design/Build

Delivering complete industrial and commercial electrical construction projects including electrical system upgrades and expansions, production machinery design and installation, tenant improvements, and power and distribution systems. Our services include:

- Commercial
- Tenant Improvements
- Renewable
- Transmission and distribution

Unions and Affiliations



INFLATION REDUCTION ACT (IRA)

— BEI Construction is IRA compliant —

Union contractor

Eligible for IRA projects certified payroll

Exceeding prevailing wage

Exceeding apprentice/ journeyman ratios

Utilizing union affiliations for our projects, BEI Construction and our clients benefit from the expertise, professionalism, safety focus, fair treatment and training opportunities that unions provide. Union expertise ensures quality workmanship, adherence to safety standards, and efficient completion of projects.

Union Quality Guaranteed

We're affiliated with the Laborers' International Union of North America (LIUNA), ensuring that our underground and civil work is performed to the highest industry standards of quality and safety.

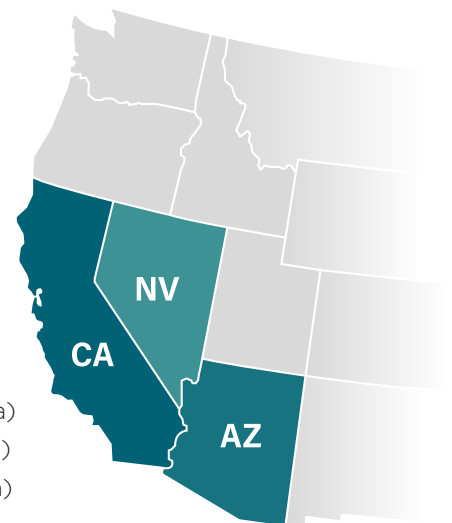


BEI has been a signatory to the IBEW since 1988


We're affiliated with the International Brotherhood of Electrical Workers (IBEW) and Operative Plasterer's and Cement Masons' International Association (OPCMIA), ensuring that our electrical and concrete work are performed to the highest standards.

Electrician Labor Unions

- | | |
|------------------------------|-------------------------------|
| IBEW 06 (San Francisco, CA) | IBEW 440 (Riverside, CA) |
| IBEW 11 (Pasadena, CA) | IBEW 441 (Orange, CA) |
| IBEW 40 (Hollywood, CA) | IBEW 477 (San Bernardino, CA) |
| IBEW 100 (Fresno, CA) | IBEW 551 (Santa Rosa, CA) |
| IBEW 180 (Napa, CA) | IBEW 569 (San Diego, CA) |
| IBEW 234 (Castroville, CA) | IBEW 595 (Dublin, CA) |
| IBEW 302 (Concord, CA) | IBEW 617 (San Mateo, CA) |
| IBEW 332 (San Jose, CA) | IBEW 659 (Medford, OR) |
| IBEW 340 (Sacramento, CA) | IBEW 684 (Modesto, CA) |
| IBEW 413 (Santa Barbara, CA) | IBEW 952 (Ventura, CA) |
| IBEW 428 (Bakersfield, CA) | NorCal Laborer, CA |
| | SoCal Laborer, CA |
| | IBEW 769 (Arizona) |
| | IBEW 401 (Nevada) |
| | IBEW 357 (Nevada) |



The safety of our employees, the public, and other contractors on the job site is essential. Our rigorous approach to safety flows from management to the field. Our experience modification rate (EMR) number of 0.72 demonstrates our commitment to safety excellence.

- Keeping up to date documentation
- Injury Illness Prevention Plan (IIPP)
- Job Site Assessment forecasting site-specific tasks
- Site-specific safety binders, including site-specific Health and Safety Plans
- Conducts daily or weekly tailgate safety meetings
- Accident Reporting
- Vehicle tracking and maintenance  Fleetio

Fire Safety

- Planning and execution of fire safety plans in California under SB 38
- Understand requirements for UL 9540A and NFPA 70 E
- Safety trainings and planned safety stand downs
- Strictly follow federal and state OSHA regulations

Trained, Certified, and Rewarded for Safety

At BEI Construction, we believe that safety excellence starts with training. We conduct extensive in-house training based on OSHA and Cal OSHA standards along with our own documented practices. We also follow NFPA 70 E—the industry standard for electrical safety—developed by and for electricians. Our safety certifications include Gold Shovel. To strengthen our safety culture, we reward employees for safety performance.



NFPA 70 E

Safety standards written by electricians for electricians.

OSHA 30 Trained

All foremen are OSHA 30 trained and compliant.

Cal OSHA

We strictly follow Cal OSHA regulations.

State of California License No. 528322, A, B, and C-10.

State of Nevada License No. 20222614066

State of Arizona License No. 330370 B-1 and No. 330371 C-11

Communication and collaboration are key to our success



FIELDWIRE

The all-in-one tool for the jobsite

Fieldwire is a suite of digital software that allows our entire project team — from foreman to the project manager — to collaborate and share information in real-time. It gives us the ability to

- Coordinate efficiently
- Track performance
- Reduce risk

Fieldware empowers our construction teams to work smarter.

Fieldwire streamlines project coordination, and its user-friendly interface simplifies complex workflows—reducing errors, delays, and unnecessary costs.

We can build projects at any scale.

Whether managing blueprints, assigning tasks, tracking progress, or conducting quality inspections, Fieldwire's comprehensive suite of tools can address diverse project needs. From small-scale projects to large-scale commercial developments, Fieldwire adapts effortlessly, ensuring efficiency at every stage of a job.

Representative Client List



Valued Vendors





A Sister Company of BEI Construction

If our clients are looking for design/build services, BEI Construction will work with Blymyer Engineers, our sister company, to provide complete engineering services.

Multidisciplinary engineering services

Blymyer Engineers has delivered multidisciplinary engineering services to industrial and commercial clients worldwide since 1961. They are licensed in 43 states and have offices in California, Texas, Oregon, Montana, Tennessee, New Mexico, and Europe. They are a great resource that we are able to bring in if projects are looking for a leading engineering firm for their design/build needs.

Design/Build

Our relationship began in 2004 when we did our first design/build project together, a 267kW ground mount project at a grapefruit farm in Borrego Springs, California. Since then, Blymyer has gone on to design well over 17GW of ground-mounted fixed and single-axis tracker systems as well as canopy-mounted and roof-mounted systems for utility, agricultural, educational, municipal, and commercial applications, becoming one of the leading engineering firms in the country when it comes to renewable energy.

BESS (SAMPLE PROJECTS)



Southern California Energy Storage | Ameresco |
Porterville, Rancho Cucamonga, and Long Beach, CA
537.5MW/2.15GWh (across 3 sites)



BESS



Goleta Energy Storage | Tesla | Goleta, CA
60MW/160MWh (44 Tesla Megapacks)



BESS

BESS (SAMPLE PROJECTS)



Wellhead Stanton | Energy Vault | Stanton, CA
68.8MW/275.2MWh
BESS



Superstition | Plus Power | Gilbert, AZ
90MW/360MWh
BESS, Substation



BESS (SAMPLE PROJECTS)



Geysers | Calpine | Middletown, CA
60MW/240MWh (re-purposed thermal plant)
BESS



Reid Gardener | Energy Vault | Moapa, NV
220MW
BESS



BESS and Substation (SAMPLE PROJECTS)



State Fund Portfolio | Vacaville, CA
10.6MW distributed generation (across 4 sites)
Vacaville, Pleasanton, Redding, Sacramento
Solar | EV Charging | BESS



Aquamarine | SOLV Energy | Stratford, CA
250MW solar, 230kV substation
Solar | Substation



Santa Ana Energy Storage | Calpine
California
40MW/160MWh
BESS



High Desert | SOLV Energy | Victorville, CA
230kV substation
Substation

Complete EPC Partners for Energy Storage Solutions



Goleta Energy Storage | Goleta, CA | 60MW/160MWh



BEI
CONSTRUCTION, INC.

Alameda, California (HQ)
1101 Marina Village Parkway
Suite 100,
Alameda, CA 94501

San Leandro, California
14072 Catalina Street
San Leandro, CA 94577

Chino, California
4861 Chino Avenue
Chino, CA 91710

BEIConstruction.com
(510) 521-3792

Follow us:

 @bei-construction

 @BEIConstruction

 @beiconstruction